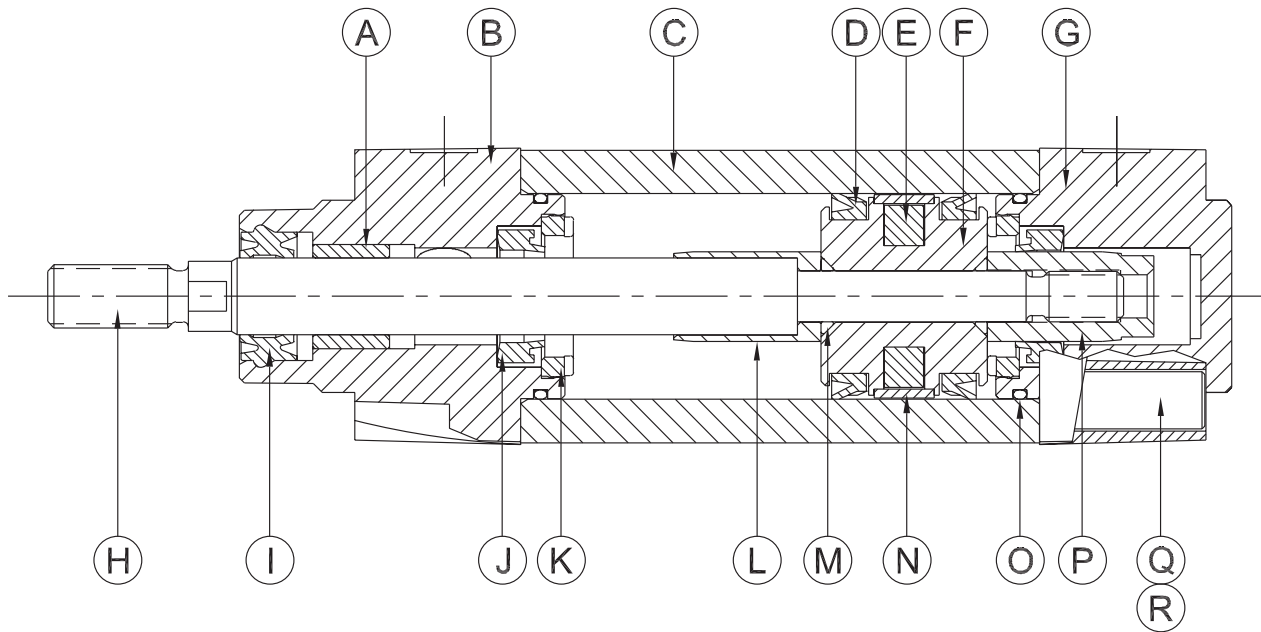


Bimba ISO 6431, VDMA 24562 Air Cylinders



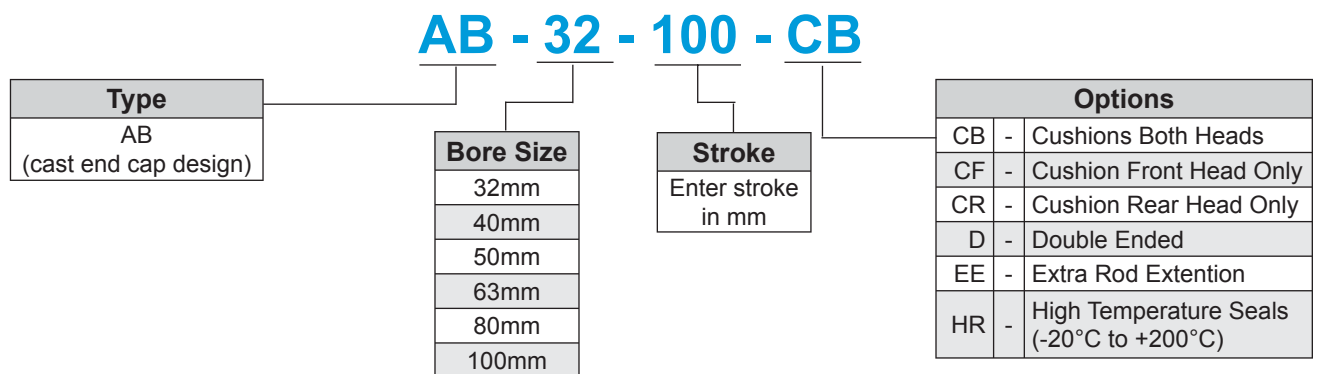
Item	Component	Material
A	Rod Bearing	Sintered Bronze
B	Rod Guide	Aluminum Alloy
C	Body	Anodized Aluminum Alloy
D	Piston Seal (2)	Polyurethane
E	Magnet	Plastoferrite
F	Piston	Aluminum Alloy
G	Rear Head	Aluminum Alloy
H	Piston Rod	Stainless Steel
I	Rod Seal/Wiper	Polyurethane
J	Cushion Seal (2)	Buna-N
K	Cushion Seal Retainer (2)	Nylon 66
L	Cushion Sleeve	Aluminum Alloy
M	Piston O-Ring (2)	Buna-N
N	Piston Bearing Ring	Nylon 66
O	Body Seal (2)	Buna-N
P	Piston Nut/Cushion	Aluminum Alloy
Q	Tie Rod Nut (8)	Zinc Plated Steel
R	Tie Rod (4)	Stainless Steel
Not Shown	Cushion Adjustable Screw (2) Cushion Adjustable Seal (2)	Plated Brass Buna-N

How to Order

The Model Number for all Bimba ISO 6431 cylinders consists of four alphanumeric clusters. These designate type, bore size and stroke length, and options.

A variety of *Mounting Kits* are available for use with each basic cylinder. Please select the required mounting type from the specifications shown in the appropriate Bore Size Section.

Please refer to the charts below for an example of Model Number **AB-32-100-CB**. This is an ISO 6431 Type Cylinder, with 32mm Bore Size, 100mm Stroke Size. **Cushions and Magnetic Piston are standard.**

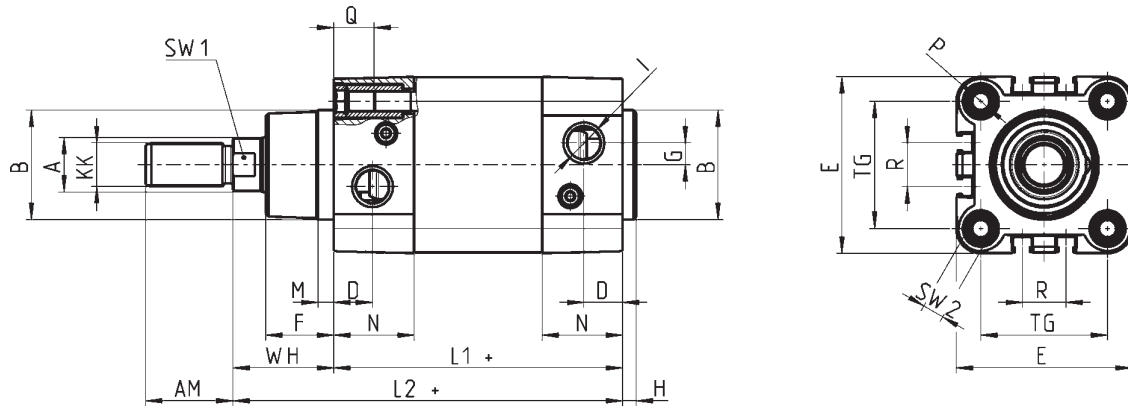


General Specifications

Specifications	Cylinder Bore
Operating Pressure Range	0.5 bar to 10 bar
Operating Temperature Range	0°C to +80°C
Stroke Lengths	1mm to 2800mm

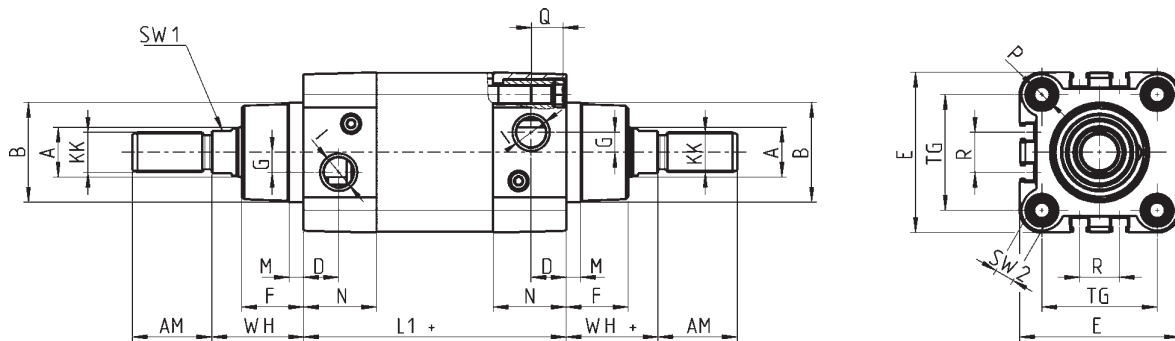
Note: Position Feedback available as a special option.

Basic Cylinder (mm)



Bore	A	KK	B ^d	D	F	AM	H	I	WH	L1	L2	M	N	Q	P	G	TG	R	E	SW1	SW2	Cushion Stroke	Weight (Kg)	Weight per mm
32	12	M10x1,25	30	14	18	22	4	G1/8	26	94	120	5	26	16	M6	5	32,5	13	46	10	6	19	.60	.003
40	16	M12x1,25	35	15	21	24	4	G1/4	30	105	135	5	29	16	M6	5	38	13,5	55	13	6	22	.89	.005
50	20	M16x1,5	40	15	25	32	4	G1/4	37	106	143	6	29,5	16	M8	8	46,5	16	64,5	17	8	22	1.44	.006
63	20	M16x1,5	45	21	26	32	4	G3/8	37	121	158	6	36,5	16	M8	8	56,5	28	75	17	8	22	2.08	.008
80	25	M20x1,5	45	21	30	40	4	G3/8	46	128	174	7	36	19	M10	8	72	30	93	22	10	25	3.43	.01
100	25	M20x1,5	55	23	35	40	4	G1/2	51	138	189	7	38,5	19,5	M10	8	89	40	110	22	10	25	4.85	.01

Double Rod End (mm)



Bore	A	KK	B ^d	D	F	AM	I	WH	L1	M	N	P	Q	G	TG	R	E	SW1	SW2	Cushion Stroke	Weight (Kg)	Weight per mm
32	12	M10x1,25	30	14	18	22	G1/8	26	94	5	26	M6	16	5	32,5	13	46	10	6	19	.69	.003
40	16	M12x1,25	35	15	21	24	G1/4	30	105	5	29	M6	16	5	38	13,5	55	13	6	22	1.06	.006
50	20	M16x1,5	40	15	25	32	G1/4	37	106	6	29,5	M8	16	8	46,5	16	64,5	17	8	22	1.76	.008
63	20	M16x1,5	45	21	26	32	G3/8	37	121	6	36,5	M8	16	8	56,5	28	75	17	8	22	2.40	.01
80	25	M20x1,5	45	21	30	40	G3/8	46	128	7	36	M10	19	8	72	30	93	22	10	25	4.06	.01
100	25	M20x1,5	55	23	35	40	G1/2	51	138	7	38,5	M10	19,5	8	89	40	110	22	10	25	5.55	.01

ISO 6431

ISO 6432

Flat

Pneu-Turn

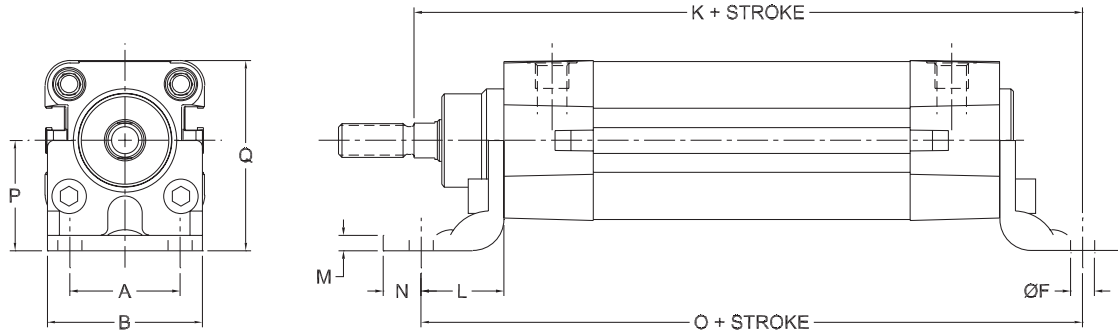
Ultran

Flow Control

Position Sensing Solutions

Foot Bracket (mm)

MS1 -

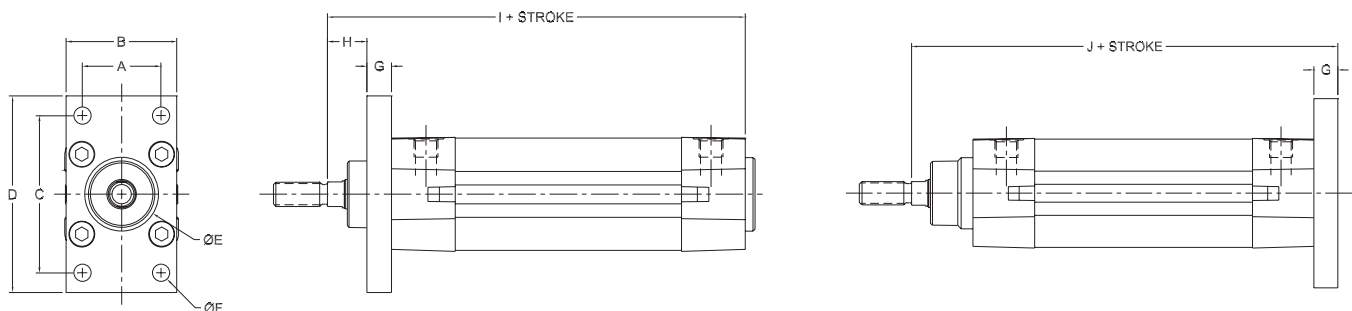


Model	K	L	M	N	O	P	Q	Weight (Kg)
MS1-32	144	24	4.5	11	142	32	55	.156
MS1-40	163	28	4.5	8	161	36	64	.186
MS1-50	175	32	5.5	15	170	45	77	.388
MS1-63	190	32	5.5	13	185	50	88	.438
MS1-80	215	41	6.5	14	210	63	110	.846
MS1-100	230	41	6.5	15	220	128	126	1.085



Front and Rear Flange (mm)

MF -

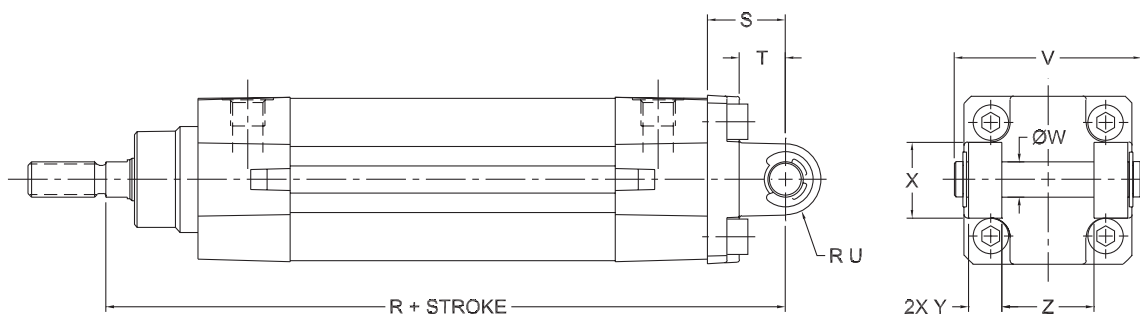


Model	A	B	C	D	E	F	G	H	I	J	Weight (Kg)
MF-32	32	45	64	80	Ø30	Ø7	10	16	120	130	.218
MF-40	36	52	72	90	Ø35	Ø9	10	20	135	145	.270
MF-50	45	65	90	110	Ø40	Ø9	12	25	143	155	.522
MF-63	50	75	100	120	Ø45	Ø9	12	25	158	170	.667
MF-80	63	95	126	150	Ø45	Ø12	16	30	174	190	1.505
MF-100	75	115	150	170	Ø55	Ø14	16	35	189	205	2.500



Clevis Mount (mm)

MP2 -

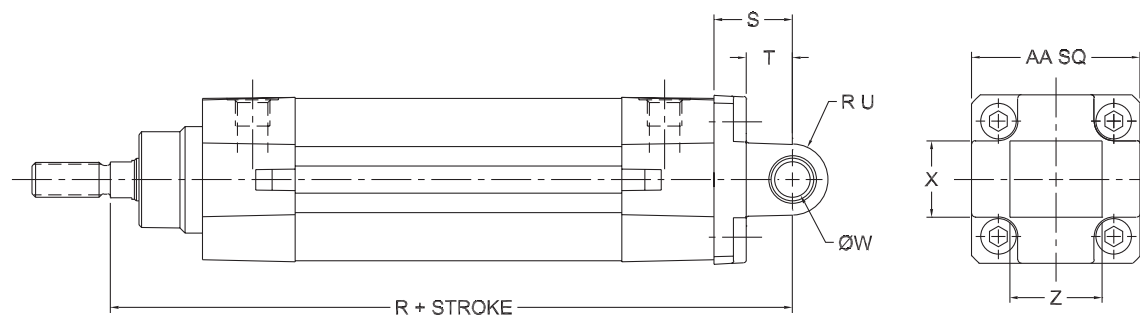


Model	R	S	T	U	V	W	X	Y	Z	Weight (Kg)
MP2-32	142	22	12	R10	53	Ø10	22	9.5	26	.111
MP2-40	160	25	15	R12	60	Ø12	26	12	28	.157
MP2-50	170	27	15	R12	68	Ø12	28	14	32	.234
MP2-63	190	32	20	R16	79	Ø16	39	15	40	.376
MP2-80	210	36	21	R16	99	Ø16	46	20	50	.639
MP2-100	230	41	26	R20	121	Ø20	55	25	60	1.008



Pivot Mount (mm)

MP4 -



Model	R	S	T	U	W	X	Z	AA	Weight (Kg)
MP4-32	142	22	12	R10	Ø10	22	26	48	.081
MP4-40	160	25	15	R12	Ø12	26	28	54	.108
MP4-50	170	27	15	R12	Ø12	28	32	66	.174
MP4-63	190	32	20	R16	Ø16	39	40	76	.257
MP4-80	210	36	21	R16	Ø16	46	50	95	.483
MP4-100	230	41	26	R20	Ø20	55	60	114	.690



ISO 6431

ISO 6432

Flat

Pneu-Turn

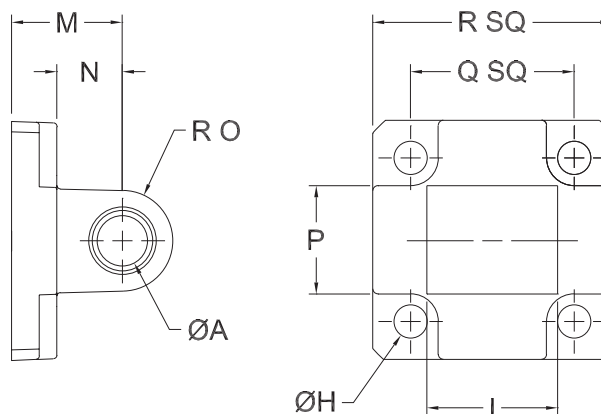
Ultram

Flow Control

Position Sensing Solutions

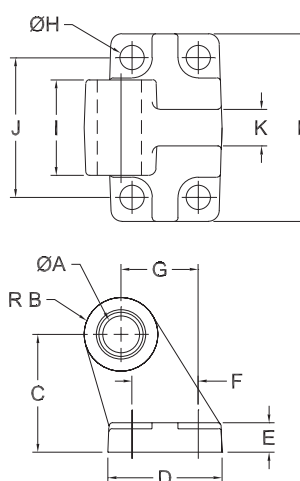
Accessories (mm)

Pivot Bracket - Type 2



Model	A	H	I	M	N	O	P	Q	R	Weight (Kg)
PB2-32	Ø10	Ø6.6	26	22	12	R10	22	32.5	48	.059
PB2-40	Ø12	Ø6.6	28	25	15	R12	26	38	54	.083
PB2-50	Ø12	Ø9	32	27	15	R12	28	46.5	65	.123
PB2-63	Ø16	Ø9	40	32	20	R16	28	56.5	76	.206
PB2-80	Ø16	Ø11	50	36	21	R16	46	72	95	.393
PB2-100	Ø20	Ø11	60	41	26	R16	55	89	114	.601

Pivot Bracket - Type 1



Model	A	B	C	D	E	F	G	H	I	J	K	L	Weight (Kg)
PB1-32	Ø10	R10	32	31	8	18	21	Ø6.6	26	38	10	51	.058
PB1-40	Ø12	R11	36	35	10	22	24	Ø6.6	28	41	12	54	.083
PB1-50	Ø12	R13	45	45	12	30	33	Ø9	32	50	15	65	.153
PB1-63	Ø16	R15	50	50	12	35	37	Ø9	40	52	16	67	.203
PB1-80	Ø16	R15	63	60	14	40	47	Ø11	50	66	18	86	.331
PB1-100	Ø20	R15	71	70	15	50	55	Ø11	60	76	20	96	.512

Accessories

ISO 6431

ISO 6432

Flat

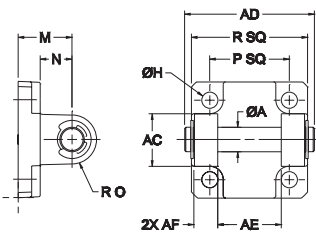
Pneu-Turn

Ultran

Flow Control

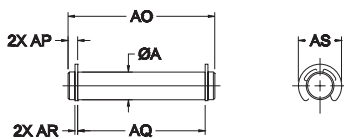
Position Sensing Solutions

Clevis Bracket



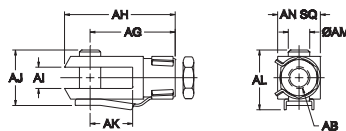
Model	A	H	M	N	O	P	R	AC	AD	AE	AF	Weight (Kg)
CB-32	Ø10	Ø6.6	22	12	R10	22	48	22	53	26	9.5	.086
CB-40	Ø12	Ø6.6	25	15	R12	26	54	26	60	28	12	.130
CB-50	Ø12	Ø9	27	15	R12	28	65	28	68	32	14	.183
CB-63	Ø16	Ø9	32	20	R16	28	76	28	79	40	15	.322
CB-80	Ø16	Ø11	36	21	R16	46	95	46	99	50	20	.543
CB-100	Ø20	Ø11	41	26	R16	55	114	55	121	50	25	.909

Pivot Pin



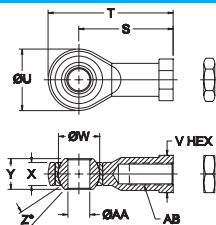
Model	A	AO	AP	AQ	AR	AS	Weight (Kg)
PP-32	Ø10	53	3.5	46	1	16	.035
PP-40	Ø12	60	3.3	53	1.1	19	.055
PP-50	Ø12	68	3.5	61	1.1	19	.060
PP-63	Ø16	79	4	71	1.3	23	.127
PP-80	Ø16	99	4	91	1.3	23	.160
PP-100	Ø20	121	5	111	1.5	29	.300

Rod Clevis



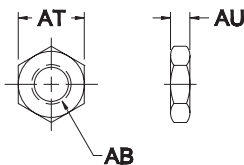
Bore	Model	AB	AG	AH	AI	AJ	AK	AL	AM	AN	Weight (Kg)
32	RC-M10x1.25	M10x1.25	40	52	10	26	20	28	10	20	.097
40	RC-M12x1.25	M12x1.25	48	62	12	32	24	34	12	24	.157
50, 63	RC-M16x1.5	M16x1.5	64	83	16	40	32	42	16	32	.356
80, 100	RC-M20x1.5	M20x1.5	80	105	20	48	40	50	20	40	.714

Spherical Rod Eye



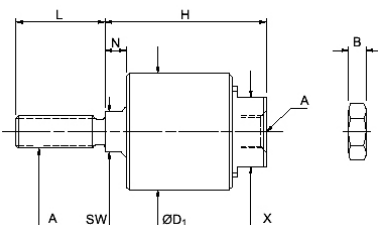
Bore	Model	S	T	U	V	W	X	Y	Z	AA	AB	Weight (Kg)
32	SRE-M10x1.25	43	57	Ø28	17	Ø19	10.5	14	13°	Ø10	M10x1.25	.080
40	SRE-M12x1.25	50	66	Ø32	19	Ø22	12	16	13°	Ø12	M12x1.25	.124
50, 63	SRE-M16x1.5	64	85	Ø42	23	Ø28.5	15	21	15°	Ø16	M16x1.5	.248
80, 100	SRE-M20x1.5	77	102	Ø50	30	Ø35	18	25	14°	Ø20	M20x1.5	.438

Rod Nut



Bore	Model	AB	AT	AU	Weight (Kg)
32	RN-4	M10x1.25	17	5	.006
40	MN-1	M12x1.25	19	7	.010
50, 63	MN-2	M16x1.5	24	8	.017
80, 100	MN-5	M20x1.5	30	9	.030

Rod Coupler



Bore	Model	A	B	D ₁	H	L	N	SW	X
25, 32	AC-M10x1.25	M10x1.25	5	29	40	24	5.3	10	17
40	AC-M12x1.25	M12x1.25	7	32	47	24	8.2	13	20
50, 63	AC-M16x1.5	M16x1.5	8	32	48	32	10	13.5	20
80, 100	AC-M20x1.5	M20x1.5	9	45	57	40	10	21	28

